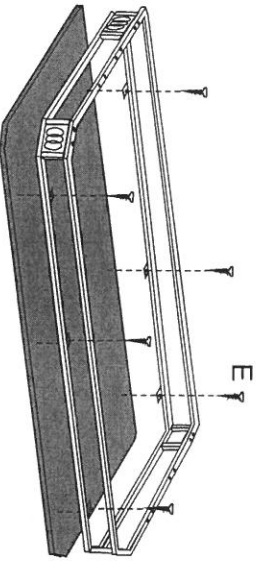
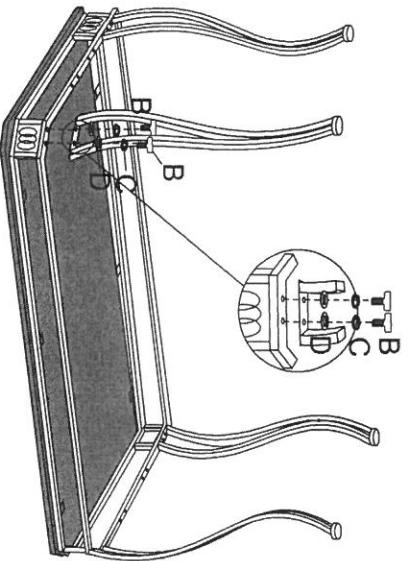


Y2798-75 WARNER COUNTER BAR TABLE

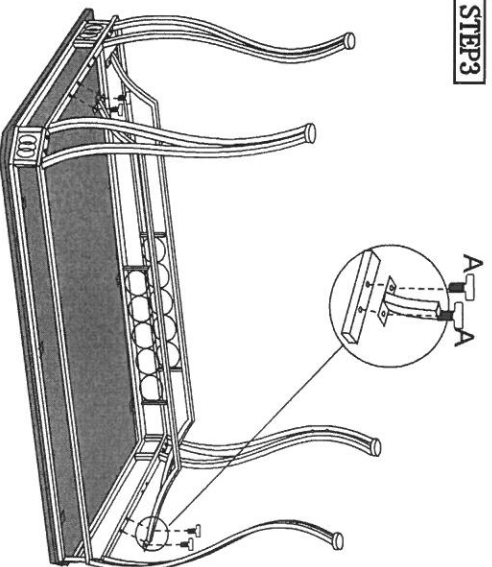
STEP1



STEP2

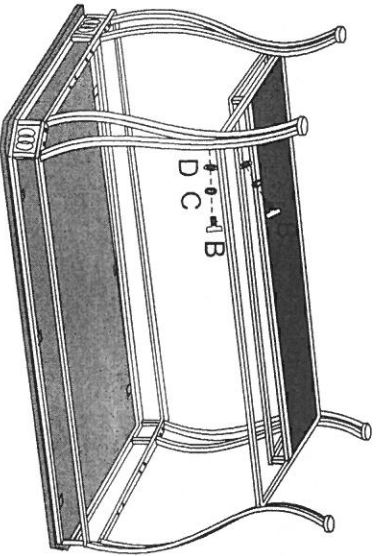


STEP3

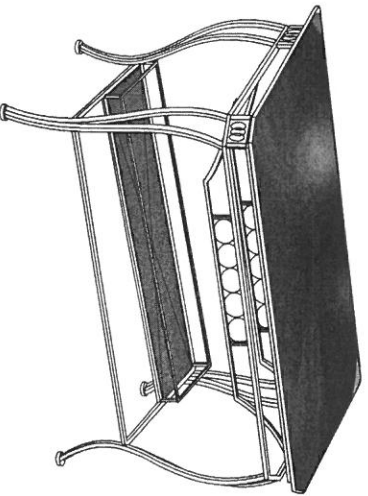


Please put the leg up in the corresponding position as shown.

STEP4

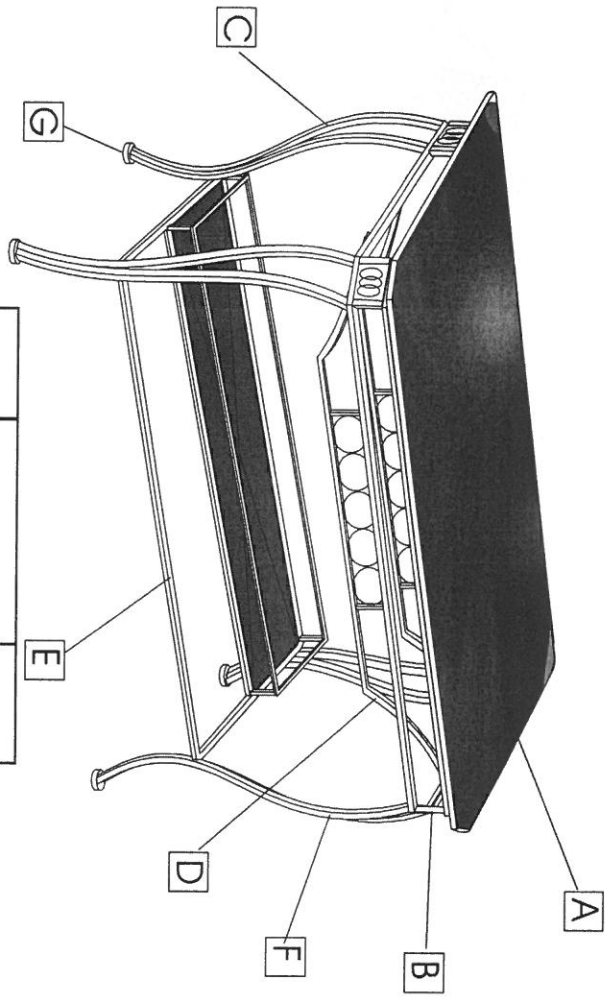









STEP5



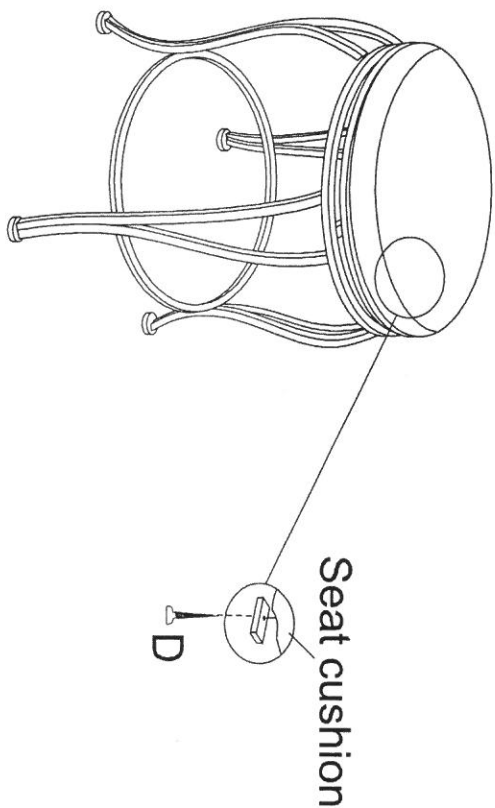
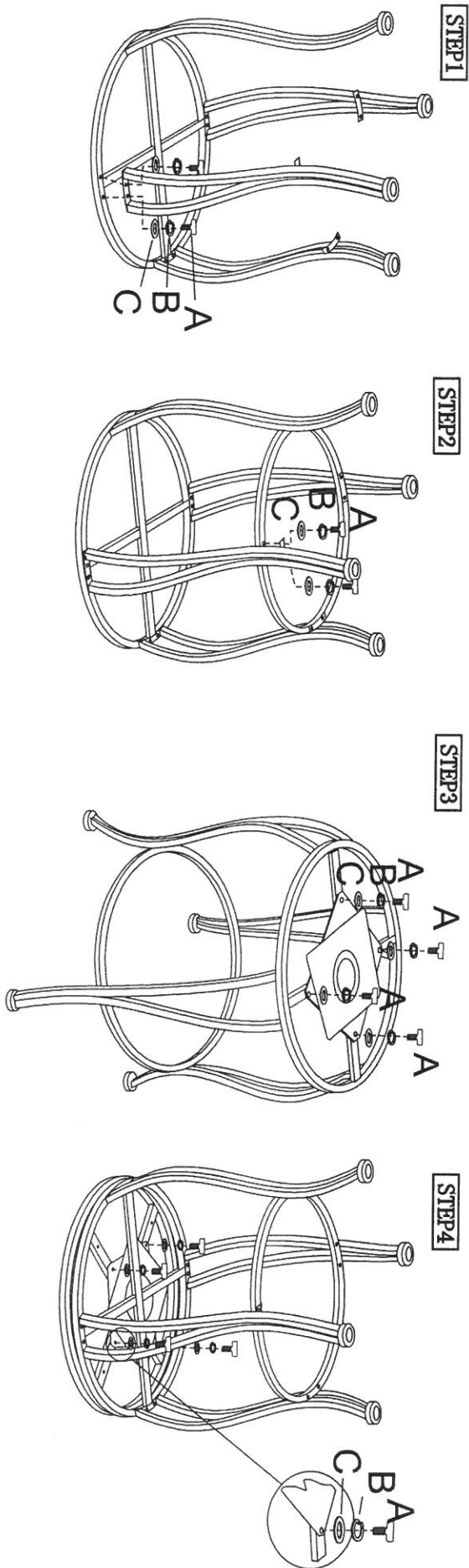
Note: Pls do not tighten all bolts until the products is assembled completely.

A	8X		1/4"*12mm PH
B	16X		1/4"*15mm PH
C	16X		Φ6.5LW
D	16X		Φ6.5*φ12FW
E	6X		M5*20mm SMS
F	1X		M4



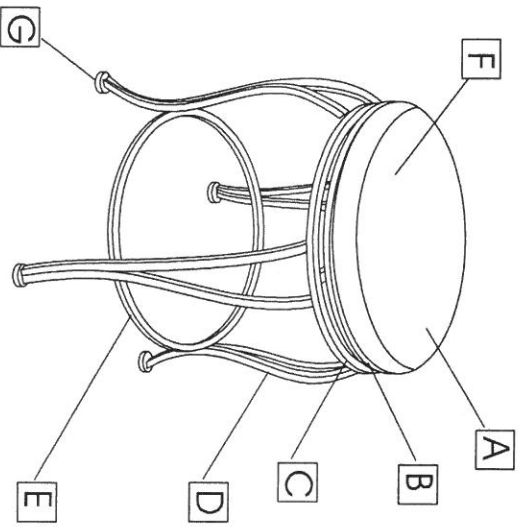
A		1X
B		1X
C		2X
D		2X
E		1X
F		2
G		4

Y2798-75 WARNER COUNTER BAR STOOL



Note: Pls do not tighten all bolts until the products is assembled completely.

A	24X		1/4"*15mm PH
B	24X		Φ6.5LW
C	24X		Φ6.5*Φ12FW
D	4X		M4*28mm SMS
E	1X		M4



A		1X
B		1X
C		1X
D		4X
E		1X
F		1X
G		4X