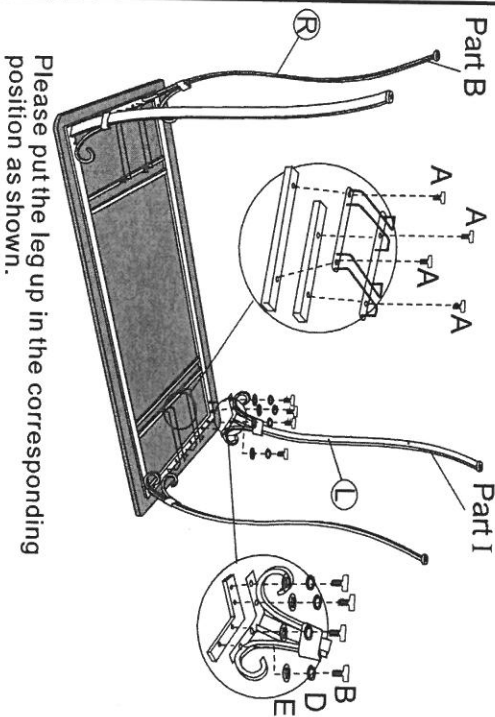


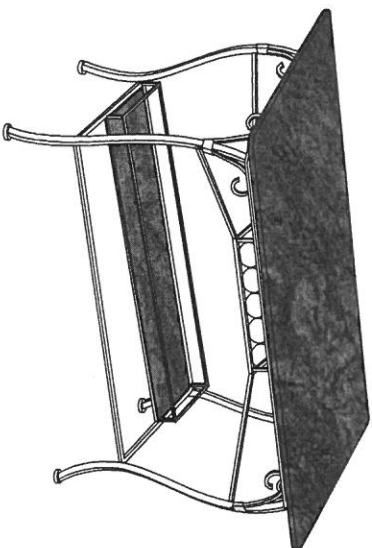
Y2443-75 MARQUE FAUX MARBLE COUNTER BAR TABLE

STEP1

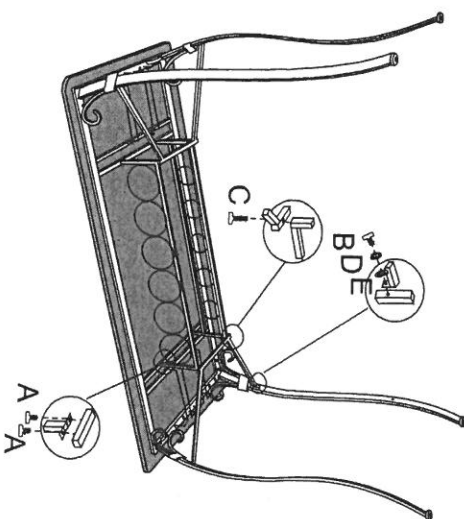


Please put the leg up in the corresponding position as shown.

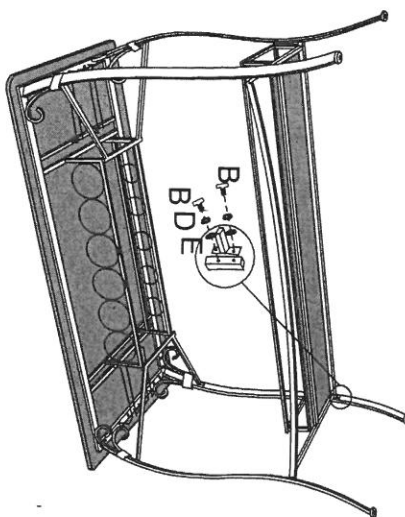
STEP4



STEP2

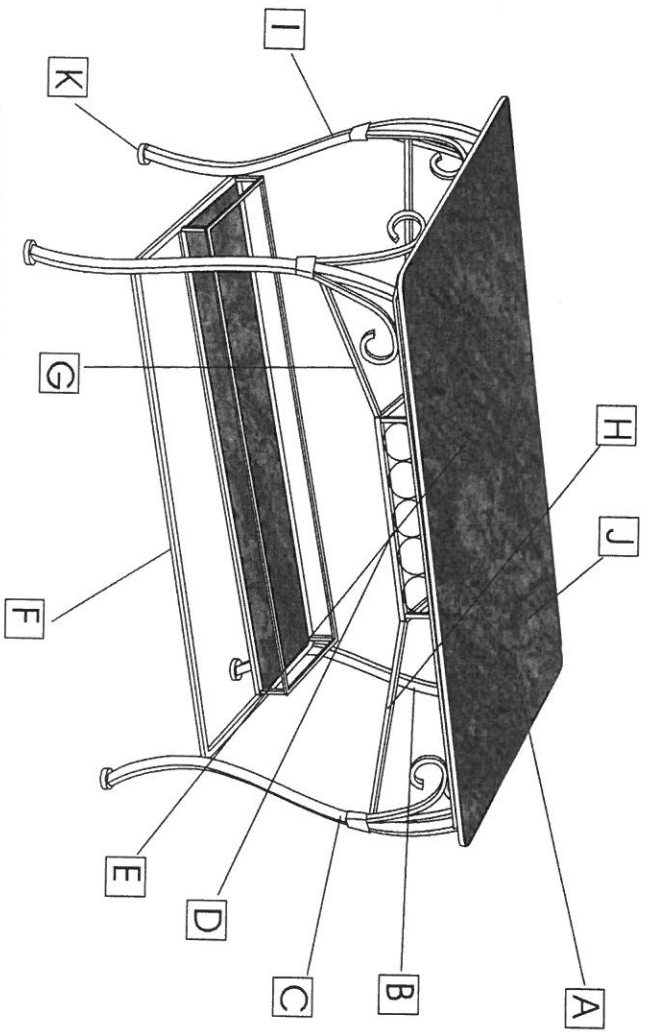













STEP3



Note: Pls do not tighten all bolts until the products is assembled completely.

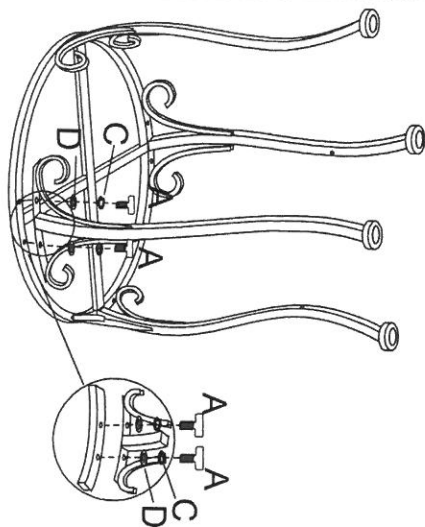
A	16X		1/4"*12mm PH
B	28X		1/4"*15mm PH
C	4X		1/4"*25mm PH
D	28X		Φ6.5LW
E	28X		Φ6.5*φ12FW
F	1 X		M4



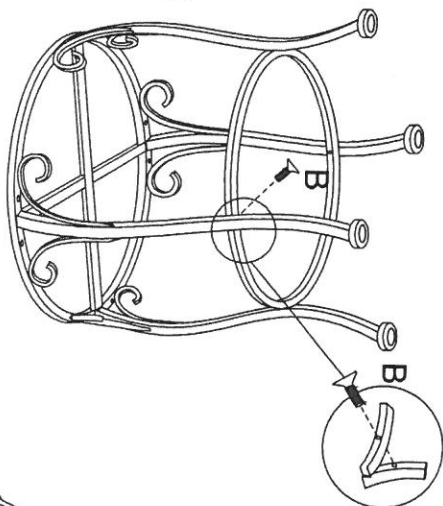
A		1X	G		1X
B		1X	H		1X
C		2X	I		1X
D		1X	J		2X
E		1X	K		4X
F		1X			

Y2443-75 MARQUE FAUX MARBLE COUNTER BAR STOOL

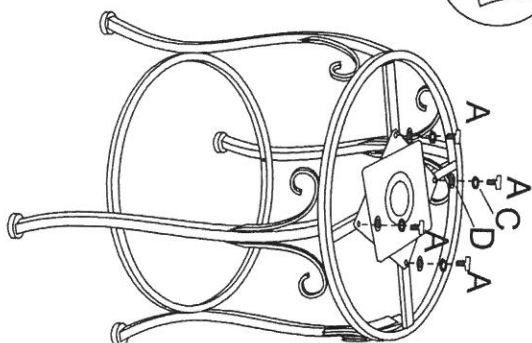
STEP1



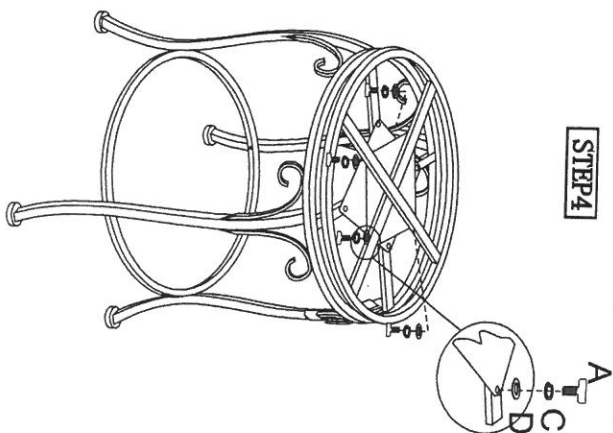
STEP2



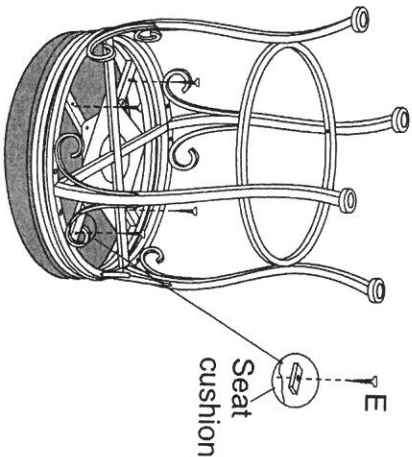
STEP3



STEP4

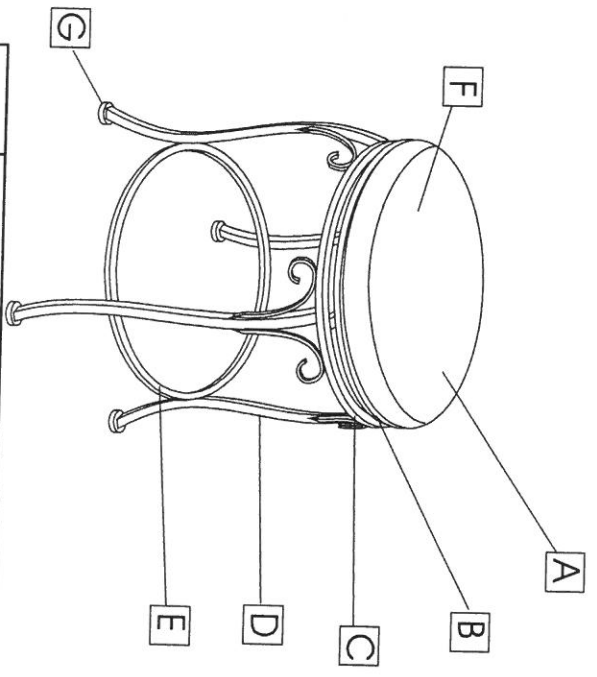


STEP5



Note: Pls do not tighten all bolts until the products is assembled completely.

A	16X		1/4"*15mm PH
B	4 X		1/4"*25mm PH
C	16X		Φ6.5LW
D	16X		Φ6.5*φ12FW
E	4 X		M4*28mm
F	1 X		M4



A		1X
B		1X
C		1X
D		4X
E		1X
F		1X
G		4X