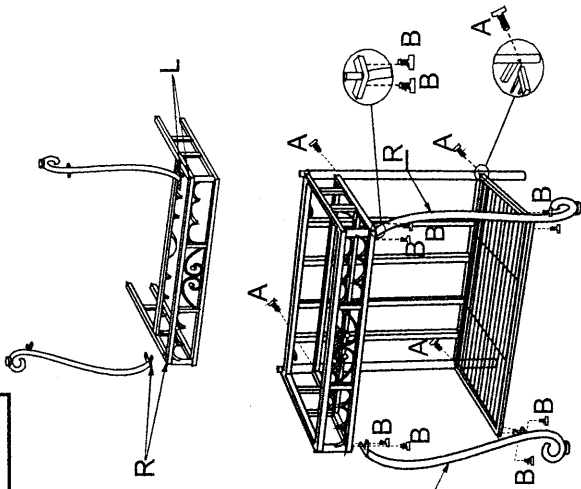
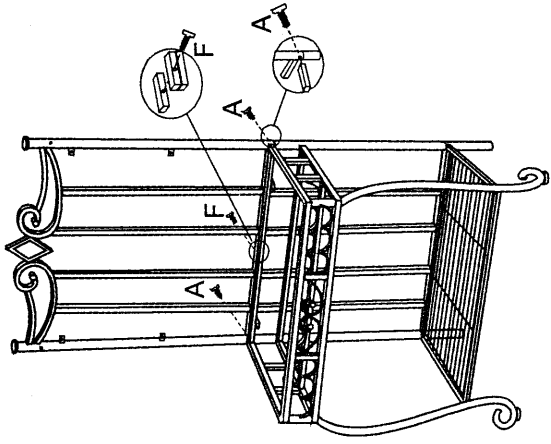


ASSEMBLY INSTRUCTION

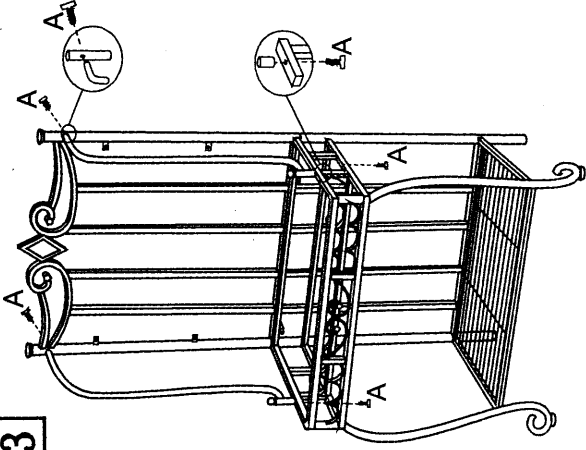
STEP1



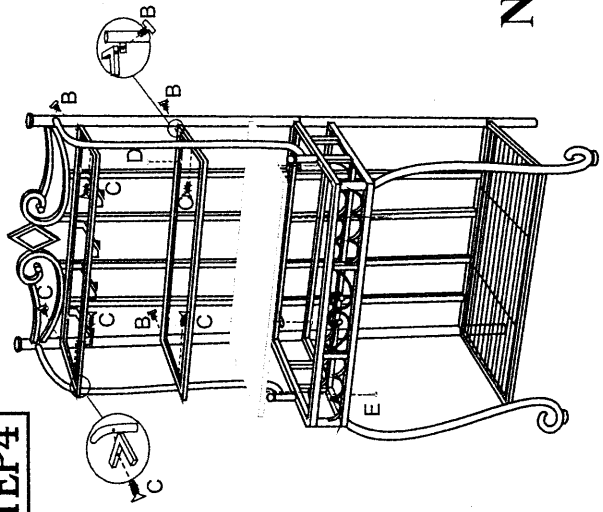
STEP2



STEP3

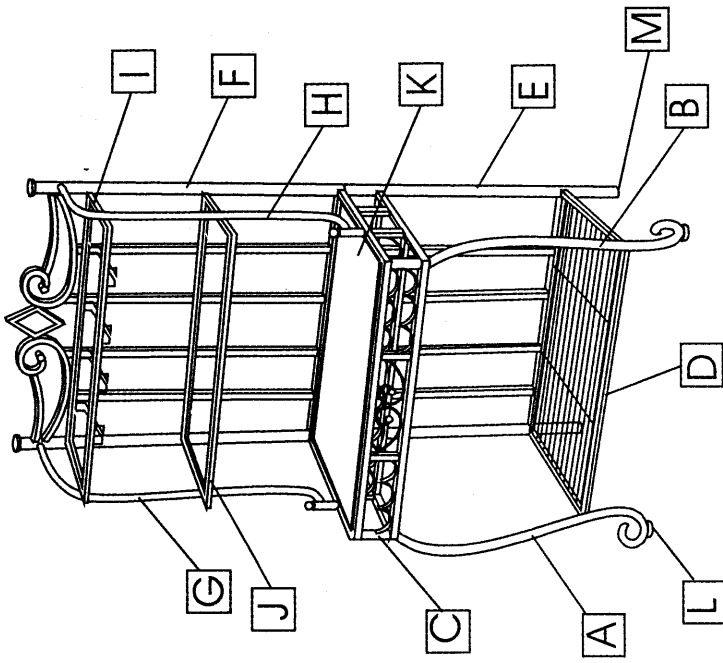


STEP4



| | | | | |
|---|--------------|--|-------|-------------|
| A | Bolts | | 10pcs | 1/4" * 40mm |
| B | Bolts | | 12pcs | 1/4" * 15mm |
| C | Bolts | | 4pcs | 1/4" * 25mm |
| D | Glass pad | | 8pcs | |
| E | Wood screw | | 4pcs | |
| F | Bolts | | 1pc | 1/4" * 30mm |
| G | Allen wrench | | 1pc | |

Note: Pls do not tighten all bolts until the rack is assembled completely.



| | Part Description | Quantity | | Part Description | Quantity |
|---|------------------|----------|---|-------------------------------|----------|
| A | Left front Leg | 1 | H | Side frame(right) | 1 |
| B | Right front Leg | 1 | I | Upper frame 1 | 1 |
| C | Middle frame | 1 | J | Upper frame 2 | 1 |
| D | Bottom frame | 1 | K | Wood top | 1 |
| E | Base back | 1 | L | Glide($\phi 24 * 1/4 * 10$) | 2 |
| F | Upper back | 1 | M | Glide($\phi 25.4$) | 2 |
| G | Side frame(left) | 1 | | | |