



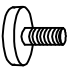


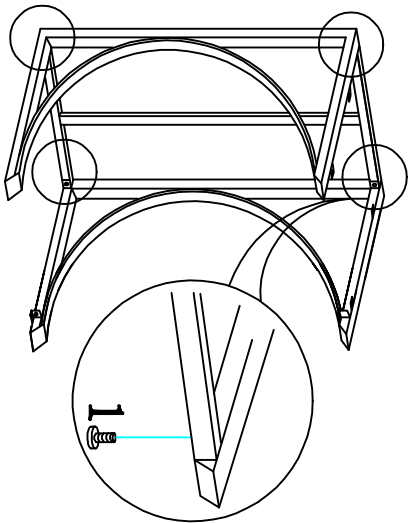
A		1X
B		1X
C		2X
D		1X
E	 $\phi 22 * 12 \text{mm}$	4X

ASSEMBLY INSTRUCTION

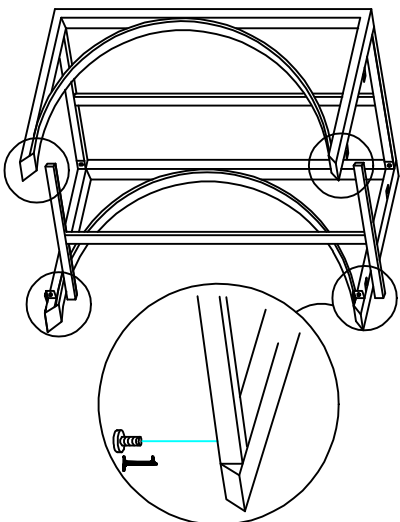
Item Name: Conner Bar Chair

Model Number: T2075-75

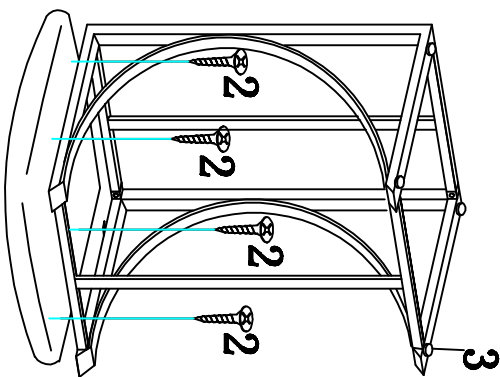
1





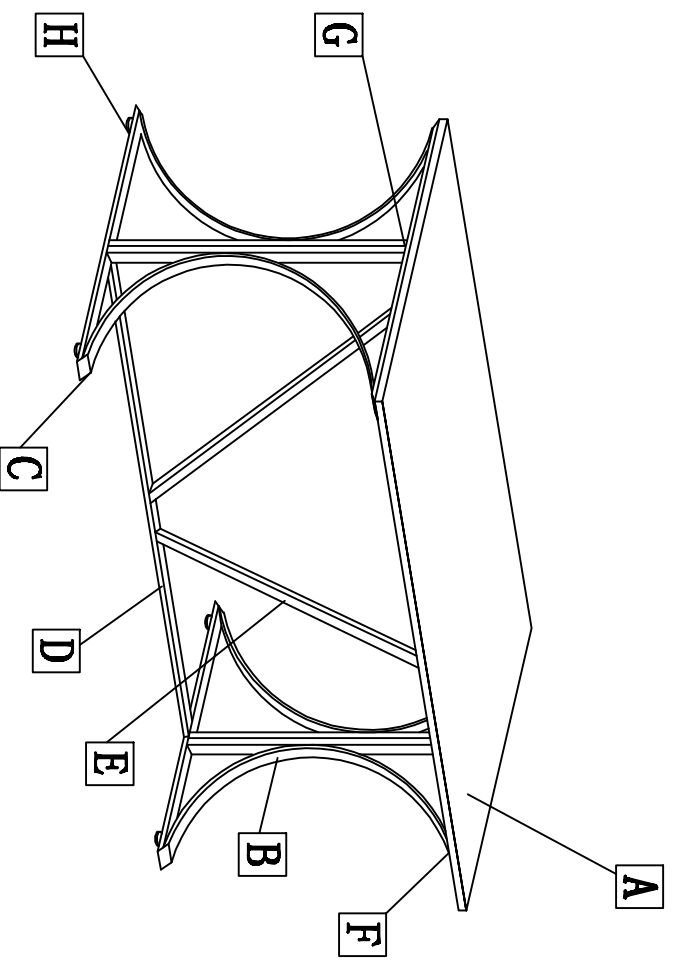
2




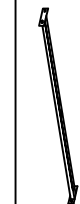






3



1	8X		1/4" * 1.2mm PH
2	4X		M4.5 * 15mm SMS

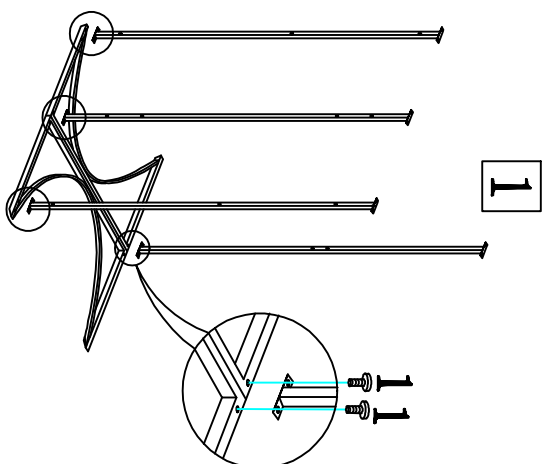


A		1X
B		2X
C		2X
D		1X
E		2X
F		2X
G		1X
H	 $\phi 22 \times 12 \text{mm}$	8X

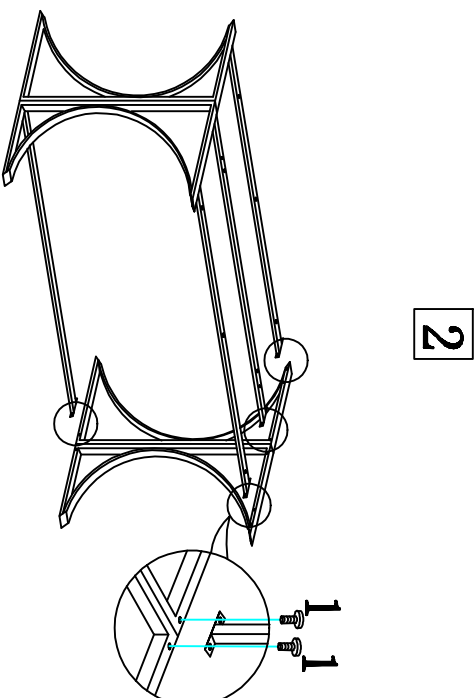
ASSEMBLY INSTRUCTION

Item Name: Corner Bar Table

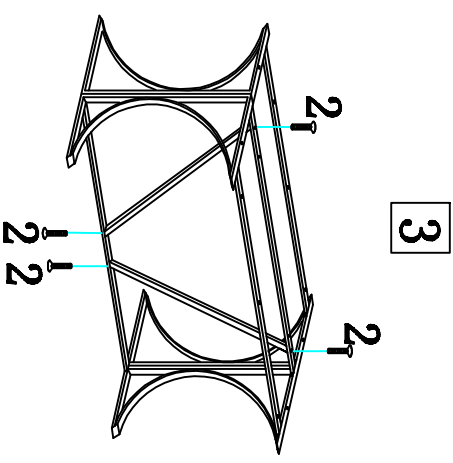
Model Number: T2075-75



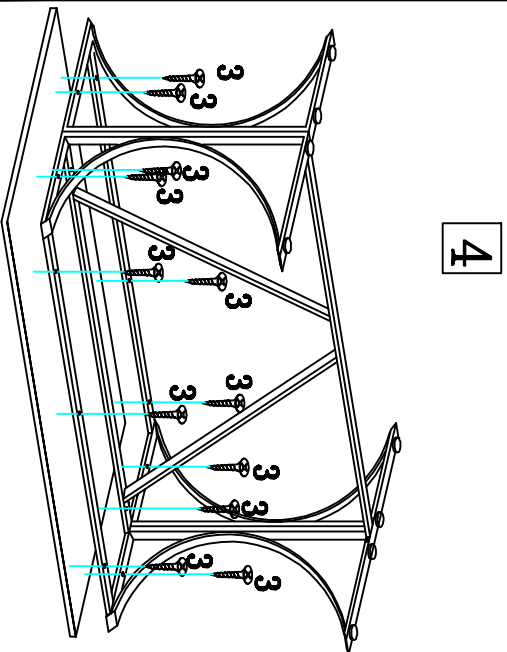
1



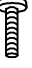



2



3



4

1	16X		1/4" * 12mm PH
2	4X		1/4" * 35mm PH
3	12X		M4. 5 * 15mm SMS
4	1X		M4